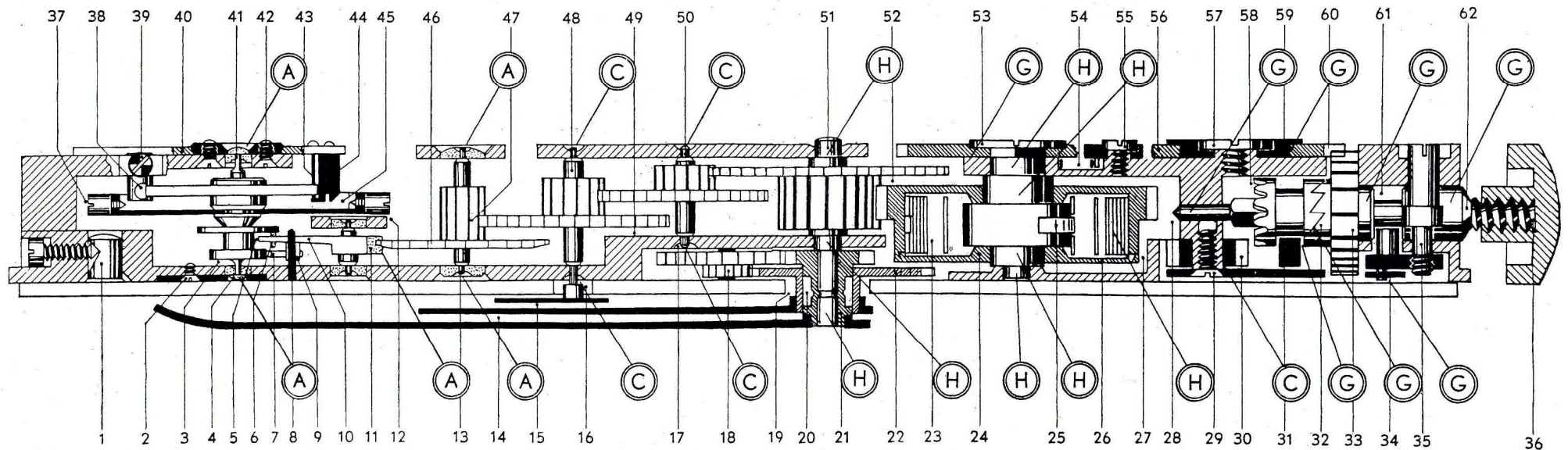


Common mistakes in watches

This is a trouble shooting guide compiled by the students of BFU8 and UH8. We are third year students of Hamburg's school of watchmaking.



- 1.) The dial studs are too thin and they are wrong polished.
- 2.) The cap jewel screw does not catch.
- 3.) The double roller brushes against the plate. It is not round.
- 4.) The cap jewel is loose or does not sit flat on the plate.

- 5.) The fork horns brush against the roller neck.
- 6.) The impulse jewel is loose and brushes against the double roller.
- 7.) The guide pin is too short.
- 8.) The banking pins are slanting and not clean.
- 9.) The block of the guide pin brushes against the plate.
- 10.) The fork stem has burr.
- 11.) The pallets are loose.
- 12.) The balance brushes against the anchor cock.
- 13.) The escape wheel pivot is jammed or has too much end shake.
- 14.) The hour hand brushes against the minute hand.
- 15.) The second hand brushes against the minute hand.
- 16.) The second hand tube brushes against the dial hole.
- 17.) The third wheel pivot under the minute wheel is not oiled.
- 18.) The minute wheel is jammed under the dial or cock.
- 19.) The hour hand tube is jammed in the dial hole.
- 20.) The cannon pinion has burr. The hour wheel is jammed.
- 21.) The hand friction is insufficient.
- 22.) The hour wheel brushes against the minute wheel or the barrel.
- 23.) The mainspring is jammed in the barrel.
- 24.) The barrel bearing is too large.
- 25.) The barrel arbor hook is too short or too long.
- 26.) The barrel cover sits wrongly. The barrel does not run flat.
- 27.) The barrel brushes against the burr of plate hollow.
- 28.) The winding stem end brushes against the barrel teeth.
- 29.) The screw of the setting lever spring is jammed with the winding stem.
- 30.) The setting wheel is jammed on the guiding pin or under the cock.
- 31.) The clutch lever has too much end shake.
- 32.) The ratchet wheel teeth have no under-cut. The winding system makes a

crackling noise.

- 33.) The winding pinion scratches on the plate.
- 34.) The setting lever spring is too strong.
- 35.) The setting lever screw has too short a recess.
- 36.) The crown is not fixed, because the winding stem is not flat on the end.
- 37.) The balance screws brush against the plate hollow.
- 38.) The hairspring is loose in the stud.
- 39.) The stud is loose.
- 40.) The regulator arm is too easily pivotable.
- 41.) The balance pivots do not reach through the jewels.
- 42.) The cap jewel screws do not catch. The plate is loose.
43. The regulator pins are not parallel.
44. The regulator wobbles.
45. The screws of the balance brush the regulator pins.
46. The escape wheel is out of true or does not run flat.
47. The escape wheel pinion is out-of-center. The mesh is not correct.
48. The fourth wheel has too much end shake.
49. The fourth wheel brushes against the recess (burr).
50. The third wheel brushes against or jams the barrel.
51. The center wheel has too much end shake. The bearing is too large.
52. The barrel brushes the center wheel.
53. The barrel-arbor screw screws the ratchet wheel down to the cock.
54. The click spring is too wide or too short.
55. The click has too much end shake.
56. The crown wheel has too much end shake.
57. The crown wheel screw does not fix the steel ring under centering pin.
58. The clutch wheel brushes the crown wheel screw.
59. The crown wheel slot does not sit centrally.

60. The crown wheel teeth are worn out at the bottom.

61. The groove of the stem is too wide.

62. The stem shakes.

source: Jendritzki reprint: Jendritzki/Stern/Heydt: "Die Armband und Taschenuhr in der Reparatur"/ Historische Uhrenbücher Hannover 2004

Many thanks to Michael Stern for copyright authorisation